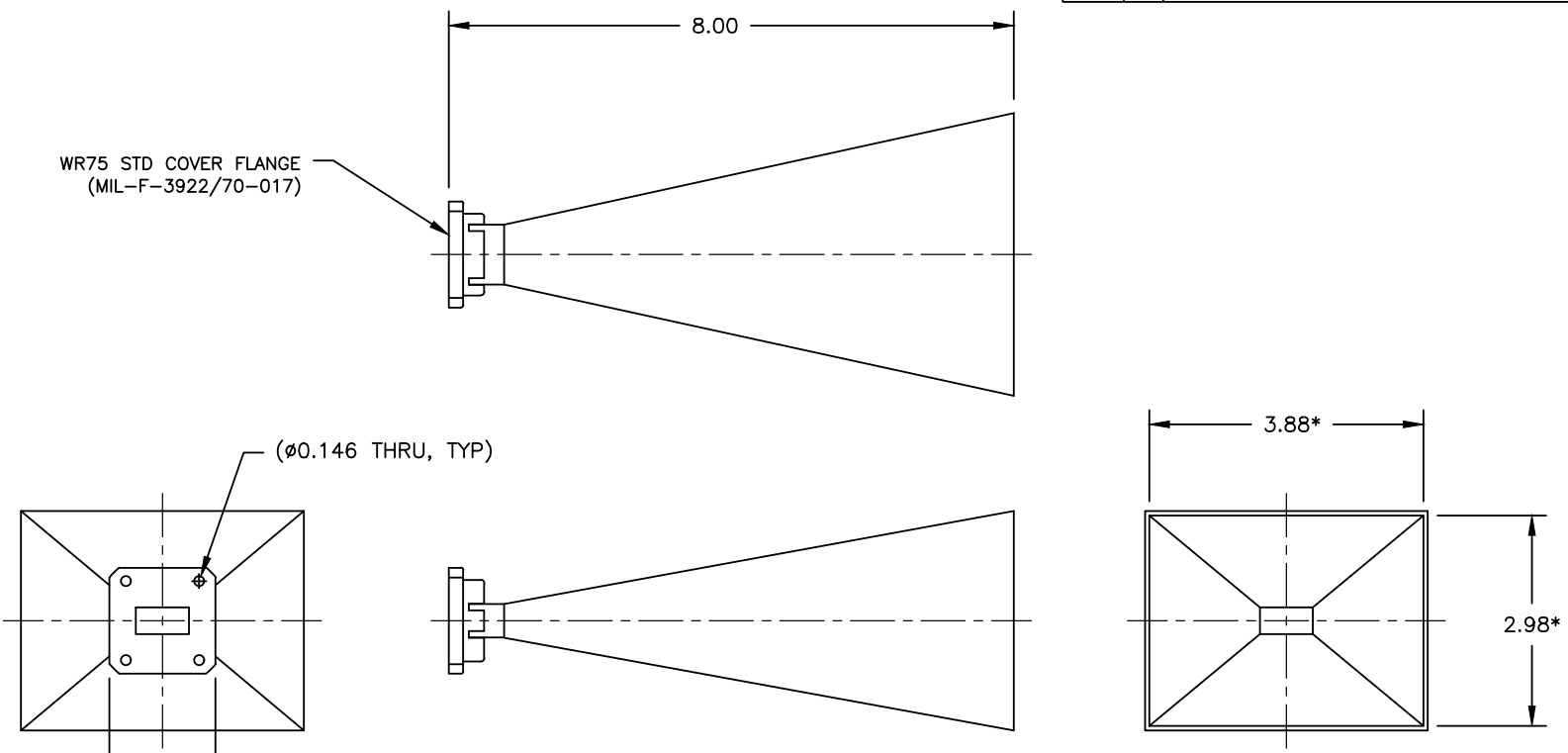


5 4 3 2 1

REVISIONS				
ZONE	LTR	DESCRIPTION	DATE	APPROVED
	D	N/M FORMAT UPDATE	04/26/22	

13969



***NOTE:** THESE DIMENSIONS ARE BASED ON THE FLANGE TYPE SHOWN ABOVE, AND MAY CHANGE WHEN OTHER FLANGE TYPES ARE SELECTED.

**INSIDE DIMENSION*

PRINT NOT ON AUTOMATIC DISTRIBUTION VERIFY REVISION PRIOR TO USE

A

<p>Narda-MITEQ PROPRIETARY THIS DOCUMENT CONTAINS INFORMATION WHICH IS PROPRIETARY TO Narda-MITEQ. THE CONTENTS SHALL NOT BE DISCLOSED, COPIED, DISTRIBUTED, OR USED UNLESS AUTHORIZED BY AN OFFICER OF Narda-MITEQ.</p>			UNLESS OTHERWISE SPECIFIED DIMENSIONS ARE IN INCHES TOLERANCES ON DECIMALS ANGLES XX±.03 XXX±.005 ±0°30'	13969	 435 MORELAND RD HAUPPAUGE, NY 11788															
	<p>THESE ITEM(S)/TECHNOLOGY CONTAIN INFORMATION SUBJECT TO U.S. GOVERNMENT EXPORT CONTROL IN ACCORDANCE WITH THE EXPORT ADMINISTRATION REGULATIONS (EAR), 15 CFR PARTS 730-744. EXPORT OF THIS DATA TO ANY FOREIGN COUNTRY OR DISCLOSURE OF THIS DATA TO ANY NON-US PERSON MAY BE A VIOLATION OF FEDERAL LAW.</p>			PROJECTION		<table border="1"> <tr> <td>DRN BY</td> <td>NAME</td> <td>DATE</td> </tr> <tr> <td></td> <td>B. FRESHOUR</td> <td>04/26/22</td> </tr> <tr> <td>DRAFT DESIGN</td> <td></td> <td></td> </tr> </table>	DRN BY	NAME	DATE		B. FRESHOUR	04/26/22	DRAFT DESIGN			<p>OUTLINE, WR75 HORN, 20 dB GAIN</p>				
DRN BY	NAME	DATE																		
	B. FRESHOUR	04/26/22																		
DRAFT DESIGN																				
			MATERIAL AL ALY	APPROVED BY																
			FINISH CHEM FILM	<table border="1"> <tr> <td>PROJ ENGR</td> <td></td> <td></td> </tr> <tr> <td>MFG ENG</td> <td></td> <td></td> </tr> <tr> <td>Q.A.</td> <td></td> <td></td> </tr> </table>	PROJ ENGR			MFG ENG			Q.A.			<table border="1"> <tr> <td>SIZE</td> <td>CODE IDENT. NO.</td> <td>REV.</td> </tr> <tr> <td>B</td> <td>94S46</td> <td>D</td> </tr> </table>	SIZE	CODE IDENT. NO.	REV.	B	94S46	D
PROJ ENGR																				
MFG ENG																				
Q.A.																				
SIZE	CODE IDENT. NO.	REV.																		
B	94S46	D																		
				AUTOCAD FILE FORMAT																
				SCALE	REF 75-442-6 SHEET 1 OF 1															

5 4 3 2 1

13969

AUTOCAD 3-2023